

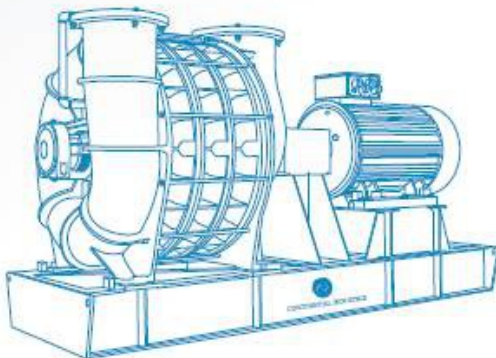


APPLICATIONS

CENTRAL VACUUM CLEANING



CENTRAL VACUUM CLEANING | DUST REMOVAL



Dragados

EQUIPMENT

2 Exhausters type 20-03

2 Dust bag filters with reverse
air jet-cleaners

START UP - 1991

215 floor mounted inlet connection

Motor: 11 Kw

SITE - Foral de Halaya, Spain / CUSTOMER - Dragados



CONTINENTAL INDUSTRIE

www.continental-industrie.se

Ref. CVC-001



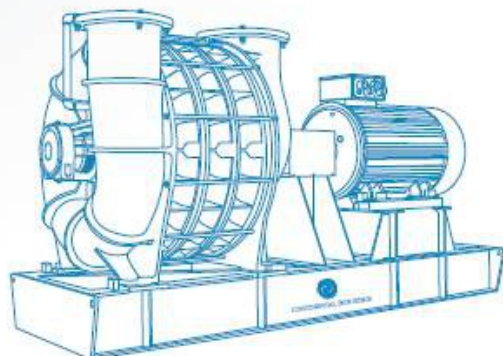
APPLICATIONS

CENTRAL VACUUM CLEANING



CENTRAL VACUUM CLEANING

DUST REMOVAL



Banco Vitoria

EQUIPMENT

1 Exhauster type 08-04

Filtration: 1 dry type filter

Motor: 11 Kw

52 wall mounted inlet connections

START UP - 1992

SITE - Vitoria, Spain / CUSTOMER - Banco Vitoria



CONTINENTAL INDUSTRIE

www.continental-industrie.se

Ref. CVC-002



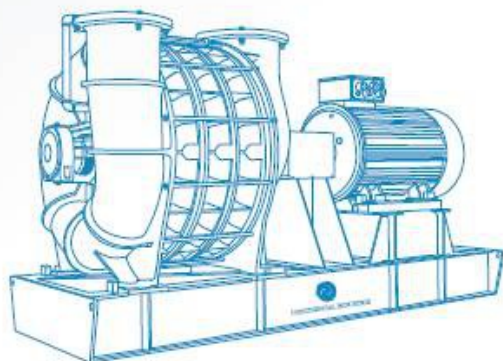
APPLICATIONS

CENTRAL VACUUM CLEANING



CENTRAL VACUUM CLEANING

DUST REMOVAL



EQUIPMENT

3 Exhausters type 31-05

Air volume: 1.900 m³/h

Vacuum: 3.500 mmH₂O each

Motor: 30 Kw each

START UP - 1991

Airtechnic

SITE - Amsterdam, Holand / CUSTOMER - Airtechnic



CONTINENTAL INDUSTRIE

www.continental-industrie.se

Ref. CVC-003



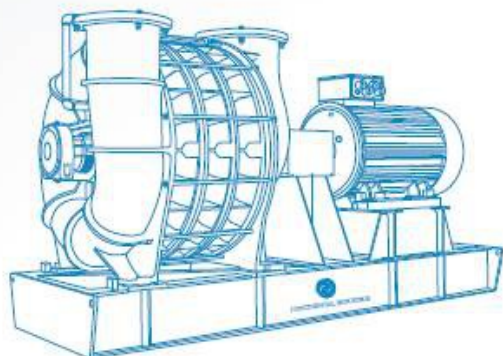
APPLICATIONS

CENTRAL VACUUM CLEANING



CENTRAL VACUUM CLEANING

DUST REMOVAL



EQUIPMENT

1 Exhauster type 10-03

Filtration: 1 dry type filter

Motor: 11 Kw

132 wall mounted inlet connections

START UP - 1998

Excmo

SITE - Vitoria, Spain / CUSTOMER - Excmo Mairie



CONTINENTAL INDUSTRIE

www.continental-industrie.se

Ref. CVC-004



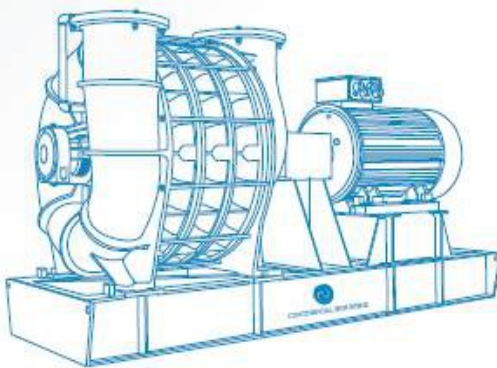
APPLICATIONS

CENTRAL VACUUM CLEANING



CENTRAL VACUUM CLEANING

DUST REMOVAL



EQUIPMENT

1 Exauster type 10-03

Air volume: 1.000 m³/h

Motor: 11 Kw

Vacuum: 2.000 mmH₂O

Filtration: Cartridge filter with reverse jet cleaner and secondary separator type HOPA.

✓ START UP - 1993

RXV

SITE - Amsterdam, Holland / CUSTOMER - RXV



CONTINENTAL INDUSTRIE

www.continental-industrie.se

Ref. CVC-005